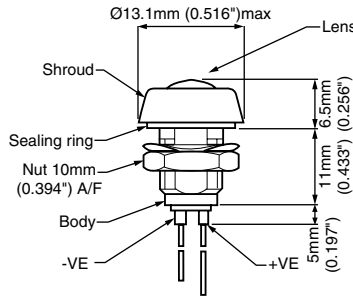


**Panel Sealed  
Convex Lens**

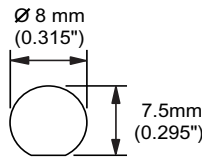
**Single Chip LED  
IP68 - Ø8.0**

**Features**

- Rugged glass and metal construction
- Short body length - ideal for applications where space is critical behind panel
- Panel sealed to IP68
- High intensity options available in all colours including blue and white
- Clear diffused lens
- 60° Viewing angle
- Operating temp -40 to 85°C
- Storage temp -55 to 100°C



Terminations 14 mm (0.551") to 200 mm (0.787") long



**Mounting Hole**



**Ordering Information and Technical Characteristics**

Ordering Information	Colour	Forward Voltage (V)	Current (mA)	Luminous Intensity (mcd)	Reverse Voltage (V)
PS/LH/8/RD	Red	2.2	20	50	5
PS/LH/8/YW	Yellow	2.2	20	40	5
PS/LH/8/GN	Green	2.2	20	50	5
PS/LH/8/AlGaAsRD	Red	1.9	20	1200	5
PS/LH/8/H/YW	Yellow	2.2	20	1000	5
PS/LH/8/H/GN	Green	3.6	20	1250	5
PS/LH/8/H/BE	Blue	3.6	20	1200	5
PS/LH/8/H/WE	White	3.6	20	1000	5

**Low Current Range**

Ordering Information	Colour	Forward Voltage (V)	Current (mA)	Luminous Intensity (mcd)	Reverse Voltage (V)
PS/LH/8/LC/RD	Red	1.8	2.0	2.0	5
PS/LH/8/LC/YW	Yellow	1.9	2.0	2.0	5
PS/LH/8/LC/GN	Green	1.9	2.0	3.0	5

Mean time before failure 90,000 hrs. Low current (LC) models 200,000 hrs

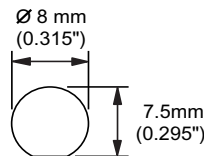
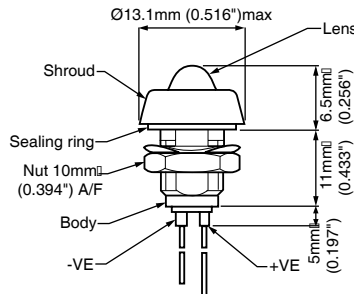
1) Customer specials available on request.

**Panel Sealed**  
**Domed Lens**

**Single Chip LED**  
**IP68 - Ø8.0**

**Features**

- Rugged glass and metal construction
- Short body length - ideal for applications where space is critical behind panel
- Panel sealed to IP68
- High intensity options available in all colours including blue and white
- Clear diffused lens
- 100° Viewing angle
- Operating temp -40 to 85°C
- Storage temp -55 to 100°C



**Mounting Hole**



**Ordering Information and Technical Characteristics**

Ordering Information	Colour	Forward Voltage (V)	Current (mA)	Luminous Intensity (mcd)	Reverse Voltage (V)
PS/LH/8/DOM/RD	Red	2.2	20	50	5
PS/LH/8/DOM/YW	Yellow	2.2	20	40	5
PS/LH/8/DOM/GN	Green	2.2	20	50	5
PS/LH/8/DOM/AlGaAsRD	Red	1.9	20	1200	5
PS/LH/8/DOM/H/YW	Yellow	2.2	20	1000	5
PS/LH/8/DOM/H/GN	Green	3.6	20	1250	5
PS/LH/8/DOM/H/BE	Blue	3.6	20	1200	5
PS/LH/8/DOM/H/WE	White	3.6	20	1000	5

**Low Current Range**

Ordering Information	Colour	Forward Voltage (V)	Current (mA)	Luminous Intensity (mcd)	Reverse Voltage (V)
PS/LH/8/LC/DOM/RD	Red	1.8	2.0	2.0	5
PS/LH/8/LC/DOM/YW	Yellow	1.9	2.0	3.0	5
PS/LH/8/LC/DOM/GN	Green	1.9	2.0	2.0	5

Mean time before failure 90,000 hrs. Low current (LC) models 200,000 hrs

1) Customer specials available on request.

**Panel Sealed - Caption Indicator**

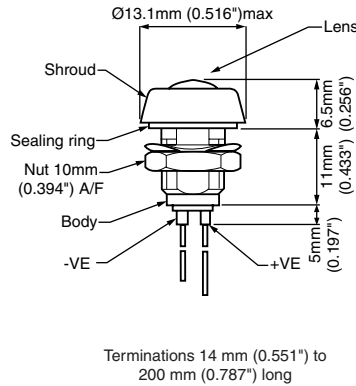
**Single Chip LED**

**Convex Lens**

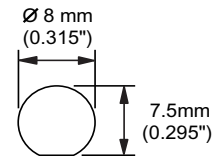
**IP68 - Ø8.0**

**Features**

- Rugged glass and metal construction
- Short body length - ideal for applications where space is critical behind panel
- Caption hidden until lit
- Custom captions available to order
- Panel sealed to IP68
- Clear diffused lens
- 60° Viewing angle
- Operating temp -40 to 85°C
- Storage temp -55 to 100°C



(number shown for illustration purpose only)



**Mounting Hole**

**Ordering Information and Technical Characteristics**

Ordering Information	Colour	Forward Voltage (V)	Current (mA)	Luminous Intensity (mcd)	Reverse Voltage (V)
PS/LH/8/CAPT/RD	Red	2.2	20	50	5
PS/LH/8/CAPT/YW	Yellow	2.2	20	40	5
PS/LH/8/CAPT/GN	Green	2.2	20	50	5
PS/LH/8/CAPT/AlGaAsRD	Red	1.9	20	1200	5
PS/LH/8/CAPT/H/YW	Yellow	2.2	20	1000	5
PS/LH/8/CAPT/H/GN	Green	3.6	20	1250	5
PS/LH/8/CAPT/H/BE	Blue	3.6	20	1200	5
PS/LH/8/CAPT/H/WE	White	3.6	20	1000	5

Mean time before failure 90,000 hrs.

1) Customer specials available on request.

**Panel Sealed**

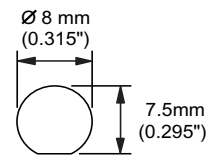
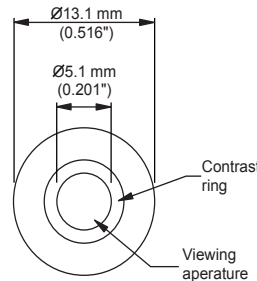
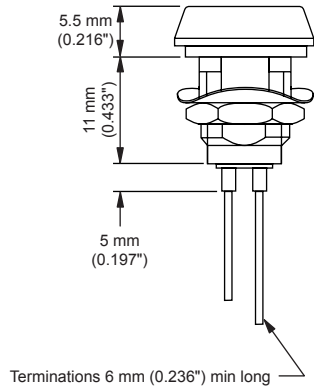
**Single Chip LED**

**Sunlight Viewable**

**IP68 - Ø8.0**

**Features**

- Rugged glass and metal construction
- Visible up to 100,000 LUX ambient illumination
- Special neutral density lens eliminates reflected sunlight
- Contrast enhancing shroud design
- Panel sealed to IP68
- 30° viewing angle
- Operating temp -40 to 85°C
- Storage temp -55 to 100°C



**Mounting Hole**

**Ordering Information and Technical Characteristics (Ta = 25°C)**

Ordering Information	Colour	Forward Voltage (V)	Current (mA)	Luminous Intensity (mcd)	Reverse Voltage (V)
PS/LH/8/RAF/RD	Red	2.2	20	15	5
PS/LH/8/RAF/YW	Yellow	2.2	20	12	5
PS/LH/8/RAF/GN	Green	2.2	20	15	5
PS/LH/8/RAF/AlGaAsRD	Red	1.9	20	360	5
PS/LH/8/RAF/H/YW	Yellow	3.6	20	375	5
PS/LH/8/RAF/H/GN	Green	2.2	20	300	5
PS/LH/8/RAF/H/BE	Blue	3.6	20	360	5
PS/LH/8/RAF/H/WE	White	3.6	20	300	5

Mean time before failure 90,000 hrs.

- 1) For night vision goggle compatible options please add **RAF/NVG** at the end of the ordering information. e.g. PS/LH/8/RAF/NVG - 10 = Green, 20 = Yellow and 30 = Red.
- 2) RAF - denotes sunlight viewable focused beam source (30°).
- 3) Flying lead terminations available on request - order FLXX, where XX = length of leads in cm
- 4) Customer Specials available on request.

**Panel Sealed**

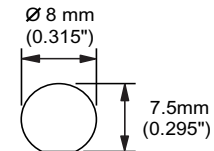
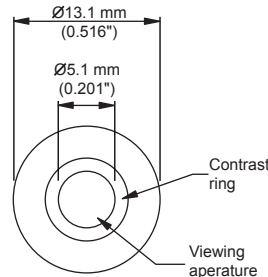
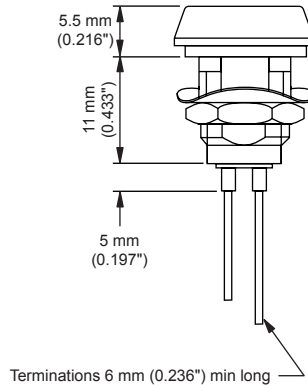
**Single Chip LED**

**Sunlight Viewable**

**IP68 - Ø8.0**

**Features**

- Rugged glass and metal construction;
- Visible up to 100,000 LUX ambient illumination
- Special neutral density lens eliminates reflected sunlight
- Contrast enhancing shroud design
- Panel sealed to IP68
- 100° viewing angle
- Operating temp -40 to 85°C
- Storage temp -55 to 100°C



**Mounting Hole**

**Ordering Information and Technical Characteristics**

Ordering Information	Colour	Forward Voltage (V)	Current (mA)	Luminous Intensity (mcd)	Reverse Voltage (V)
PS/LH/8/RAPP/RD	Red	2.2	20	2	5
PS/LH/8/RAPP/YW	Yellow	2.2	20	1	5
PS/LH/8/RAPP/GN	Green	2.2	20	2	5
PS/LH/8/RAPP/AlGaAsRD	Red	1.9	20	54	5
PS/LH/8/RAPP/H/YW	Yellow	2.2	20	45	5
PS/LH/8/RAPP/H/GN	Green	3.6	20	56	5
PS/LH/8/RAPP/H/BE	Blue	3.6	20	54	5
PS/LH/8/RAPP/H/WE	White	3.6	20	45	5

Mean time before failure 90,000 hrs.

- 1) RAPP - denotes sunlight viewable pinpoint wide (100°) viewing angle.
- 2) For night vision goggle compatible options please add **RAPP/NVG** at the end of the ordering information. e.g. PS/LH/8/RAPP/NVG - 10 = Green, 20 = Yellow and 30 = Red.
- 3) Flying lead terminations available on request - order FLXX, where XX = length of leads in cm
- 4) Customer Specials available on request.

Panel Sealed

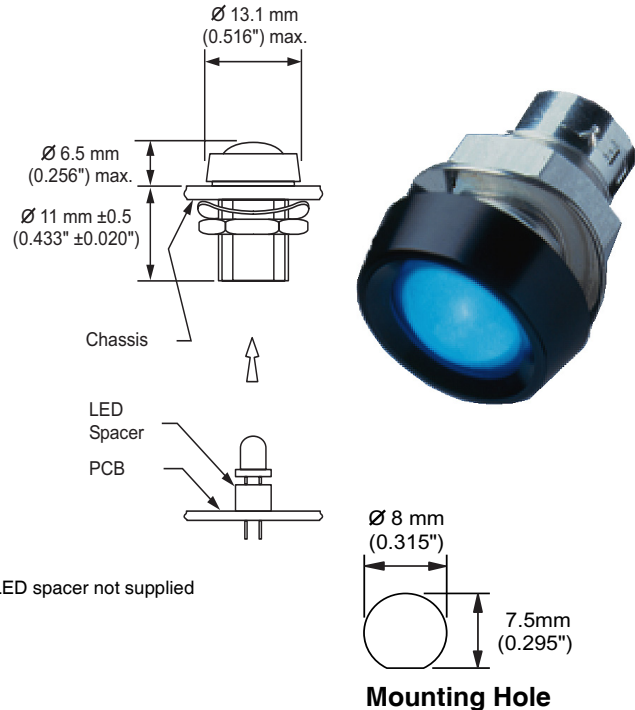
Single Chip LED

Two-Part LED

IP68 - Ø8.0

Features

- 2 part construction permits wire-less detachment of front panel
- Rugged glass and metal construction
- Panel sealed to IP68
- Improved equipment reliability, improved solder joints
- Clear diffused lens
- 60° viewing angle.
- Operating temp -40 to 85°C
- Storage temp -55 to 100°C



Ordering Information and Technical Characteristics

Ordering Information	Colour	Forward Voltage (V)	Current (mA)	Luminous Intensity (mcd)	Reverse Voltage (V)
PS/LH/8/LX/RD	Red	2.2	20	20	5
PS/LH/8/LX/YW	Yellow	2.2	20	20	5
PS/LH/8/LX/GN	Green	2.2	20	20	5
PS/LH/8/LX/AIGaAsRD	Red	1.9	20	1200	5
PS/LH/8/LX/H/YW	Yellow	2.2	20	1000	5
PS/LH/8/LX/H/GN	Green	3.6	20	1250	5
PS/LH/8/LX/H/BE	Blue	3.6	20	1200	5
PS/LH/8/LX/H/WE	White	3.6	20	1000	5

Mean time before failure 90,000 hrs.

- 1) For EMI shielded options please denote **SES** in the ordering information.  
e.g. PS/LH/8/SES/LX/AIGaAsRD
- 2) Customer Specials available on request.