

Low Profile and Flush Mounting

Single Chip LED

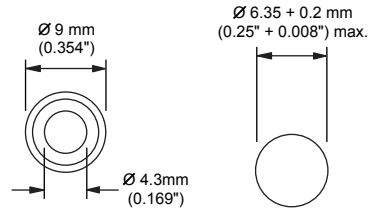
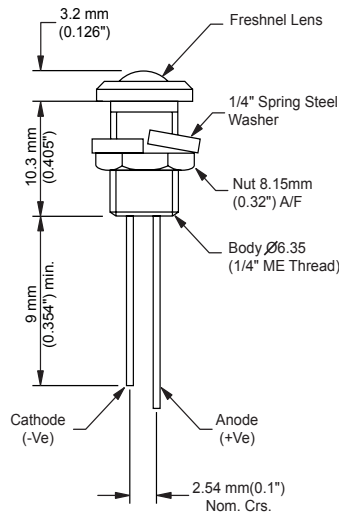
Fresnel Lens

IP66 - Ø6.35

Features

- Coloured low profile and prominent fresnel lens (Clear lens optional)
- Standard aluminium finish (black anodized optional)
- Ideal where panel space is at a premium
- Five voltage ranges as standard
- Reverse voltage protected
- 80° Viewing angle
- Operating temp -40 to 85°C
- Storage temp -40 to 85°C

Dimensions in mm (inches)



Front View

Mounting Hole

Ordering Information and Technical Characteristics

Ordering Information	Colour	Forward Voltage (V)	Current (mA)	Luminous Intensity (mcd)	Reverse Voltage (V)
OXL/CLH/63/RD	Red	2.2	20	45	5
OXL/CLH/63/YW	Yellow	2.2	20	45	5
OXL/CLH/63/GN	Green	2.2	20	45	5
OXL/CLH/63/AIGaAsRD	Red	1.9	20	1250	5
OXL/CLH/63/H/YW	Yellow	2.2	20	1000	5
OXL/CLH/63/H/GN	Green	3.6	20	1250	5
OXL/CLH/63/H/BE	Blue	3.6	20	1200	5
OXL/CLH/63/H/WE	White	3.6	20	1000	5

Continued...

Ordering Information	Colour	Forward Voltage (V)	Current (mA)	Luminous Intensity (mcd)	Reverse Voltage (V)
OXL/CLH/63/5/RD	Red	5	15	35	5
OXL/CLH/63/5/YW	Yellow	5	15	35	5
OXL/CLH/63/5/GN	Green	5	15	35	5
OXL/CLH/63/5/AlGaAsRD	Red	5	15	900	5
OXL/CLH/63/5/H/YW	Yellow	5	15	750	5
OXL/CLH/63/5/H/GN	Green	5	15	940	5
OXL/CLH/63/5/H/BE	Blue	5	15	900	5
OXL/CLH/63/5/H/WE	White	5	15	750	5
OXL/CLH/63/12/RD	Red	12	15	35	12
OXL/CLH/63/12/YW	Yellow	12	15	35	12
OXL/CLH/63/12/GN	Green	12	15	35	12
OXL/CLH/63/12/AlGaAsRD	Red	12	15	900	12
OXL/CLH/63/12/H/YW	Yellow	12	15	750	12
OXL/CLH/63/12/H/GN	Green	12	15	940	12
OXL/CLH/63/12/H/BE	Blue	12	15	900	12
OXL/CLH/63/12/H/WE	White	12	15	750	12
OXL/CLH/63/24/RD	Red	24	15	35	24
OXL/CLH/63/24/YW	Yellow	24	15	35	24
OXL/CLH/63/24/GN	Green	24	15	35	24
OXL/CLH/63/24/AlGaAsRD	Red	24	15	900	24
OXL/CLH/63/24/H/YW	Yellow	24	15	750	24
OXL/CLH/63/24/H/GN	Green	24	15	940	24
OXL/CLH/63/24/H/BE	Blue	24	15	900	24
OXL/CLH/63/24/H/WE	White	24	15	750	24
OXL/CLH/63/28/RD	Red	28	15	35	28
OXL/CLH/63/28/YW	Yellow	28	15	35	28
OXL/CLH/63/28/GN	Green	28	15	35	28
OXL/CLH/63/28/AlGaAsRD	Red	28	15	900	28
OXL/CLH/63/28/H/YW	Yellow	28	15	750	28
OXL/CLH/63/28/H/GN	Green	28	15	940	28
OXL/CLH/63/28/H/BE	Blue	28	15	900	28
OXL/CLH/63/28/H/WE	White	28	15	750	28

Mean time before failure 90,000 hrs

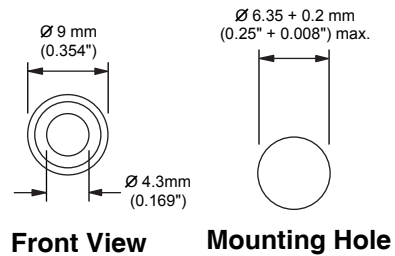
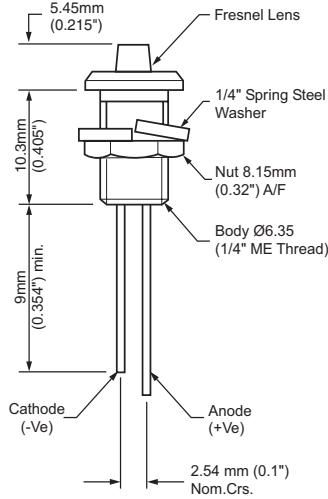
- 1) Clear lens and black anodised bodies available on request - denoted by **CL** and **BB** within the part number.
e.g. OXL/CLH/63/BB/28/CL/H/WE
- 2) Customer specials available on request.

**Prominent Wide Viewing
Fresnel Lens**

**Single Chip LED
IP66 - Ø6.35**

Features

- Coloured prominent Fresnel lens (Clear lens optional)
- Rugged metal body construction
- Aluminium body (black anodised optional)
- Ideal where panel space is at a premium.
- Five voltage ranges available as standard
- 100° Viewing angle
- Operating temp -40 to 85°C
- Storage temp -40 to 85°C



Ordering Information and Technical Characteristics

Ordering Information	Colour	Forward Voltage (V)	Current (mA)	Luminous Intensity (mcd)	Reverse Voltage (V)
OXL/CLH/63/P/RD	Red	2.2	20	45	5
OXL/CLH/63/P/YW	Yellow	2.2	20	45	5
OXL/CLH/63/P/GN	Green	2.2	20	45	5
OXL/CLH/63/P/AlGaAsRD	Red	1.9	20	1200	5
OXL/CLH/63/P/H/YW	Yellow	2.2	20	1000	5
OXL/CLH/63/P/H/GN	Green	3.6	20	1250	5
OXL/CLH/63/P/H/BE	Blue	3.6	20	1200	5
OXL/CLH/63/P/H/WE	White	3.6	20	1000	5
OXL/CLH/63/5/P/RD	Red	5	15	35	5
OXL/CLH/63/5/P/YW	Yellow	5	15	35	5
OXL/CLH/63/5/P/GN	Green	5	15	35	5
OXL/CLH/63/5/P/AlGaAsRD	Red	5	15	900	5
OXL/CLH/63/5/P/H/YW	Yellow	5	15	750	5
OXL/CLH/63/5/P/H/GN	Green	5	15	940	5

Continued ..

Ordering Information	Colour	Forward Voltage (V)	Current (mA)	Luminous Intensity (mcd)	Reverse Voltage (V)
OXL/CLH/63/5/P/H/BE	Blue	5	15	900	5
OXL/CLH/63/5/P/H/WE	White	5	15	750	5
OXL/CLH/63/12/P/RD	Red	12	15	35	12
OXL/CLH/63/12/P/YW	Yellow	12	15	35	12
OXL/CLH/63/12/P/GN	Green	12	15	35	12
OXL/CLH/63/12/P/AlGaAsRD	Red	12	15	900	12
OXL/CLH/63/12/P/H/YW	Yellow	12	15	750	12
OXL/CLH/63/12/P/H/GN	Green	12	15	940	12
OXL/CLH/63/12/P/H/BE	Blue	12	15	900	12
OXL/CLH/63/12/P/H/WE	White	12	15	750	12
OXL/CLH/63/15/P/RD	Red	15	15	35	15
OXL/CLH/63/15/P/YW	Yellow	15	15	35	15
OXL/CLH/63/15/P/GN	Green	15	15	35	15
OXL/CLH/63/15/P/AlGaAsRD	Red	15	15	900	15
OXL/CLH/63/15/P/H/YW	Yellow	15	15	750	15
OXL/CLH/63/15/P/H/GN	Green	15	15	940	15
OXL/CLH/63/15/P/H/BE	Blue	15	15	900	15
OXL/CLH/63/15/P/H/WE	White	15	15	750	15
OXL/CLH/63/24/P/RD	Red	24	15	35	24
OXL/CLH/63/24/P/YW	Yellow	24	15	35	24
OXL/CLH/63/24/P/GN	Green	24	15	35	24
OXL/CLH/63/24/P/AlGaAsRD	Red	24	15	900	24
OXL/CLH/63/24/P/H/YW	Yellow	24	15	750	24
OXL/CLH/63/24/P/H/GN	Green	24	15	940	24
OXL/CLH/63/24/P/H/BE	Blue	24	15	900	24
OXL/CLH/63/24/P/H/WE	White	24	15	750	24
OXL/CLH/63/28/P/RD	Red	28	15	35	28
OXL/CLH/63/28/P/YW	Yellow	28	15	35	28
OXL/CLH/63/28/P/GN	Green	28	15	35	28
OXL/CLH/63/28/P/AlGaAsRD	Red	28	15	900	28
OXL/CLH/63/28/P/H/YW	Yellow	28	15	750	28
OXL/CLH/63/28/P/H/GN	Green	28	15	940	28
OXL/CLH/63/28/P/H/BE	Blue	28	15	900	28
OXL/CLH/63/28/P/H/WE	White	28	15	750	28

- 1) Coloured lens as standard, optional clear lens available - denoted by **CL** in part numbering.
e.g. OXL/CLH/63/P/CL/GN
- 2) Black anodised body available - denoted by BB in part number eg. OXL/CLH/63/BB/P/CL/GN
- 3) Customer specials available on request.