

### Sub-Miniature

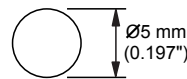
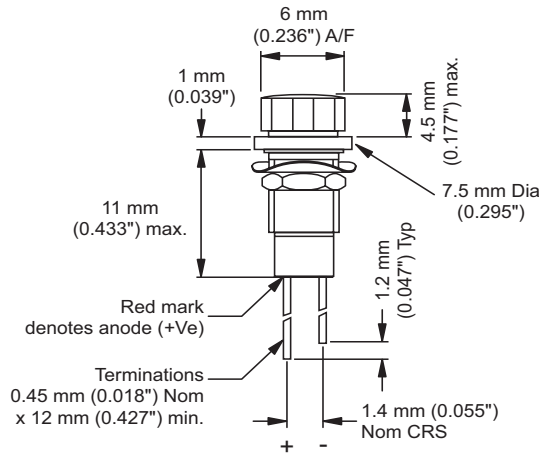
### Single Chip LED

### Flat Lens

### IP67 - Ø5.0

#### Features

- Rugged glass and metal construction
- Sealed top and rear to IP67
- Ideal where panel space is at a premium
- Black anodised bezel for harsh environment
- Clear flat diffused lens
- 60° Viewing angle
- Operating temp -40 to 85°C
- Storage temp -55 to 100°C



**Mounting Hole**  
(OXL/MIL50/- or OXL/MIL50/SES/-)

#### Ordering Information and Technical Characteristics

Ordering Information	Colour	Forward Voltage (V)	Current (mA)	Luminous Intensity (mcd)	Reverse Voltage (V)
OXL/MIL50/RD	Red	2.2	20	20	5
OXL/MIL50/YW	Yellow	2.2	20	20	5
OXL/MIL50/GN	Green	2.2	20	20	5
OXL/MIL50/AIGaAsRD	Red	1.9	20	1200	5
OXL/MIL50/H/YW	Yellow	2.2	20	1000	5
OXL/MIL50/H/GN	Green	3.6	20	1250	5
OXL/MIL50/H/BE	Blue	3.6	20	1200	5
OXL/MIL50/H/WE	White	3.6	20	1000	5
OXL/MIL50/SES/RD	Red	2.2	20	20	5
OXL/MIL50/SES/YW	Yellow	2.2	20	20	5
OXL/MIL50/SES/GN	Green	2.2	20	20	5
OXL/MIL50/SES/H/AIGaAsRD	Red	1.9	20	1200	5
OXL/MIL50/SES/H/YW	Yellow	2.2	20	1000	5
OXL/MIL50/SES/H/GN	Green	3.6	20	1250	5
OXL/MIL50/SES/H/BE	Blue	3.6	20	1200	5
OXL/MIL50/SES/H/WE	White	3.6	20	1000	5

Mean time before failure 90,000 hrs

1) For Night Vision Goggle compatible options please add **RAF/NVG** to the end of the order information.  
e.g. OXL/MIL50/RAF/NVG plus 10 - Green, 20 - Yellow or 30 - Red (RAF denotes sunlight readability)

2) Flying lead terminations available on request.

**Sub-Miniature Sunlight Viewable**

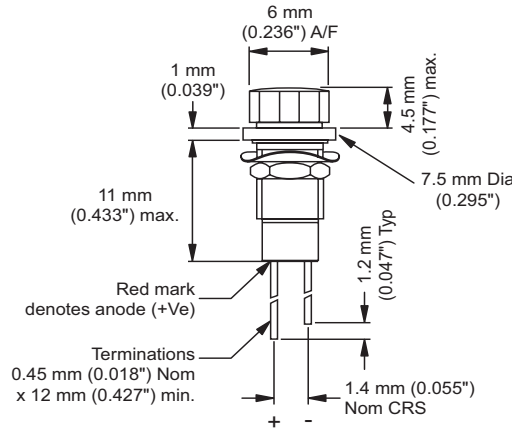
**Single Chip LED**

**Flat Lens**

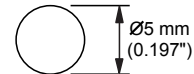
**IP67 - Ø5.0**

**Features**

- Rugged glass and metal construction
- Sealed top and rear to IP67
- Ideal where panel space is at a premium
- Black anodised bezel for good on/off contrast ratio
- Ideal for hazardous environments
- Flat neutral density lens
- 60° Viewing angle
- Operating temp -40 to 85°C
- Storage temp -55 to 100°C



**Mounting Hole**  
(OXL/MIL50/- or OXL/MIL50/SES/-)



**Ordering Information and Technical Characteristics**

Ordering Information	Colour	Lens Type	Forward Voltage (V)	Current (mA)	Luminous Intensity (mcd)	Reverse Voltage (V)
OXL/MIL50/RAF/RD	Red	Flat Neutral Density Lens	2.2	20	20	5
OXL/MIL50/RAF/YW	Yellow		2.2	20	20	5
OXL/MIL50/RAF/GN	Green		2.3	20	20	5
OXL/MIL50/RAF/AIGaAsRD	Red		1.9	20	1200	5
OXL/MIL50/RAF/H/YW	Yellow		2.2	20	1000	5
OXL/MIL50/RAF/H/GN	Green		3.6	20	1250	5
OXL/MIL50/RAF/H/BE	Blue		3.6	20	1200	5
OXL/MIL50/RAF/H/WE	White		3.6	20	1000	5
OXL/MIL50/RAF/SES/RD	Red		2.2	20	20	5
OXL/MIL50/RAF/SES/YW	Yellow		2.2	20	20	5
OXL/MIL50/RAF/SES/GN	Green		2.2	20	20	5
OXL/MIL50/RAF/SES/AIGaAsRD	Red		1.9	20	1200	5
OXL/MIL50/RAF/SES/H/YW	Yellow		2.2	20	1000	5
OXL/MIL50/RAF/SES/H/GN	Green		3.6	20	1250	5
OXL/MIL50/RAF/SES/H/BE	Blue		3.6	20	1200	5
OXL/MIL50/RAF/SES/H/WE	White		3.6	20	1000	5

Mean time before failure 90,000 hrs

- 1) For night vision goggle compatible options please add **RAF/NVG** to the end of the order information. e.g. OXL/MIL50/RAF/NVG - 10 - Green, 20 - Yellow and 30 - Red.
- 2) **RAF** - denotes sunlight readability
- 3) Flying lead terminations available on request - add **FLXX**, where XX = length of leads in cm to Part Number.
- 4) EMI Shielding option available, please add **SES** to part number (note: lamps shroud dimensions Ø7.5mm, 5.5mm high - not shown above)

### Voltage Sub-Miniature

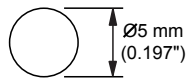
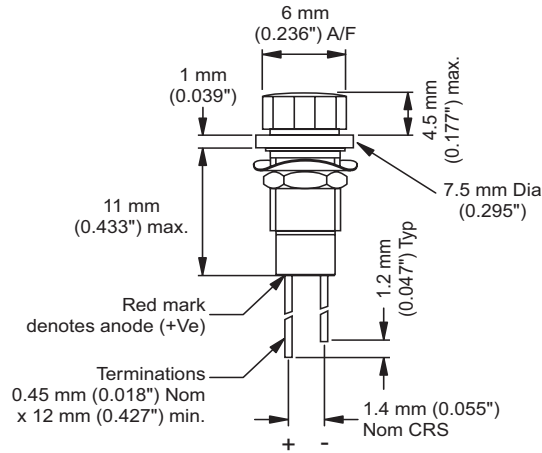
### Single Chip LED

### Flat Lens

### IP67 - Ø5.0

#### Features

- Rugged glass and metal construction
- Sealed top and rear to IP67
- Ideal where panel space is at a premium
- Black anodised bezel for harsh environment
- Flat diffused lens
- 60° Viewing angle
- Operating temp -40 to 85°C
- Storage temp -55 to 100°C



**Mounting Hole**  
(OXL/MIL50/- or OXL/MIL50/SES/-)

#### Ordering Information and Technical Characteristics

Ordering Information	Colour	Forward Voltage (V)	Current (mA)	Luminous Intensity (mcd)	Reverse Voltage (V)
OXL/MIL50/5/RD	Red	5	15	15	5
OXL/MIL50/5/YW	Yellow	5	15	15	5
OXL/MIL50/5/GN	Green	5	15	15	5
OXL/MIL50/5/AlGaAsRD	Red	5	15	900	5
OXL/MIL50/5/H/YW	Yellow	5	15	750	5
OXL/MIL50/5/H/GN	Green	5	15	940	5
OXL/MIL50/5/H/BE	Blue	5	15	900	5
OXL/MIL50/5/H/WE	White	5	15	750	5
OXL/MIL50/12/RD	Red	12	15	15	12
OXL/MIL50/12/YW	Yellow	12	15	15	12
OXL/MIL50/12/GN	Green	12	15	15	12
OXL/MIL50/12/AlGaAsRD	Red	12	15	900	12
OXL/MIL50/12/H/YW	Yellow	12	15	750	12
OXL/MIL50/12/H/GN	Green	12	15	940	12
OXL/MIL50/12/H/BE	Blue	12	15	900	12
OXL/MIL50/12/H/WE	White	12	15	750	12

Continued...

Ordering Information	Colour	Forward Voltage (V)	Current (mA)	Luminous Intensity (mcd)	Reverse Voltage (V)
OXL/MIL50/15/RD	Red	15	15	15	15
OXL/MIL50/15/YW	Yellow	15	15	15	15
OXL/MIL50/15/GN	Green	15	15	15	15
OXL/MIL50/15/AIGaAsRD	Red	15	15	900	15
OXL/MIL50/15/H/YW	Yellow	15	15	750	15
OXL/MIL50/15/H/GN	Green	15	15	940	15
OXL/MIL50/15/H/BE	Blue	15	15	900	15
OXL/MIL50/15/H/WE	White	15	15	750	15
OXL/MIL50/24/RD	Red	24	15	15	24
OXL/MIL50/24/YW	Yellow	24	15	15	24
OXL/MIL50/24/GN	Green	24	15	15	24
OXL/MIL50/24/AIGaAsRD	Red	24	15	900	24
OXL/MIL50/24/H/YW	Yellow	24	15	750	24
OXL/MIL50/24/H/GN	Green	24	15	940	24
OXL/MIL50/24/H/BE	Blue	24	15	900	24
OXL/MIL50/24/H/WE	White	24	15	750	24
OXL/MIL50/28/RD	Red	28	15	15	28
OXL/MIL50/28/YW	Yellow	28	15	15	28
OXL/MIL50/28/GN	Green	28	15	15	28
OXL/MIL50/28/AIGaAsRD	Red	28	15	900	28
OXL/MIL50/28/H/YW	Yellow	28	15	750	28
OXL/MIL50/28/H/GN	Green	28	15	940	28
OXL/MIL50/28/H/BE	Blue	28	15	900	28
OXL/MIL50/28/H/WE	White	28	15	750	28

Mean time before failure 90,000 hrs

- 1) For night vision goggle compatible options please add **RAF/NVG** to the end of the order information.  
e.g. OXL/MIL50/28/RAF/NVG - 10 - Green, 20 - Yellow and 30 - Red
- 2) **RAF** - denotes sunlight readability
- 3) Flying lead terminations available on request - order FLXX, where XX = length of leads in cm

**Sub-Miniature**

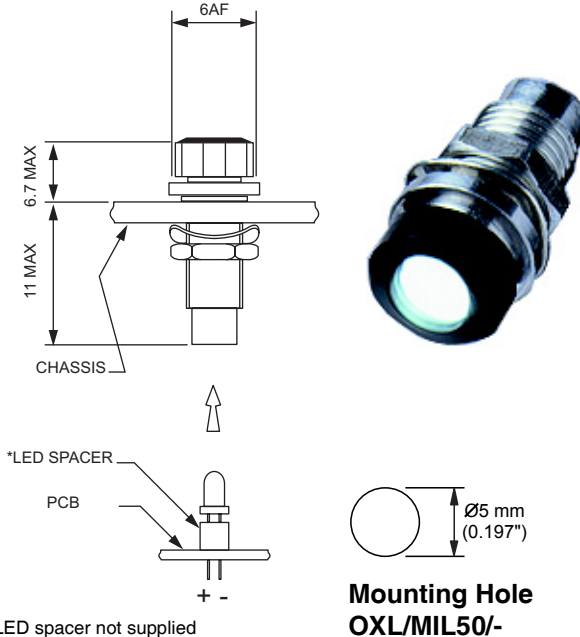
**Single Chip LED**

**Flat Lens Two Part**

**IP67 - Ø5.0**

**Features**

- 2 part construction permits wire-less detachment of front panels
- Rugged glass and metal construction
- Panel sealed to IP67
- Improved equipment reliability fewer solder joints
- Flat diffused lens
- 60° Viewing angle
- Operating temp -40 to 85°C
- Storage temp -55 to 100°C



**Ordering Information and Technical Characteristics**

Ordering Information	Colour	Forward Voltage (V)	Current (mA)	Luminous Intensity (mcd)	Reverse Voltage (V)
OXL/MIL50/LX/RD	Red	2.2	20	20	5
OXL/MIL50/LX/YW	Yellow	2.2	20	20	5
OXL/MIL50/LX/GN	Green	2.2	20	20	5
OXL/MIL50/LX/AlGaAsRD	Red	1.9	20	1200	5
OXL/MIL50/LX/H/YW	Yellow	2.2	20	1000	5
OXL/MIL50/LX/H/GN	Green	3.6	20	1250	5
OXL/MIL50/LX/H/BE	Blue	3.6	20	1200	5
OXL/MIL50/LX/H/WE	White	3.6	20	1000	5

Mean time before failure 90,000 hrs

- 1) For night vision goggle compatible options please add **RAF/NVG** to the end of the order information. e.g. OXL/MIL50/RAF/LX/NVG - 10 - Green, 20 - Yellow and 30 - Red.
- 2) **RAF** - denotes sunlight readability
- 3) EMI Shielding option available, please add **SES** to part number. (note: lamps shroud dimensions Ø7.5mm, 5.5mm high - not shown above)