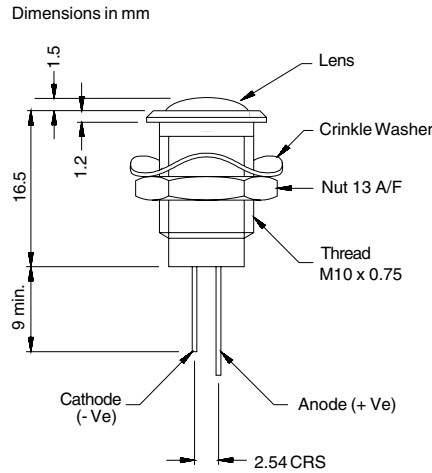


Low Profile LED Indicator
Fresnel Lens

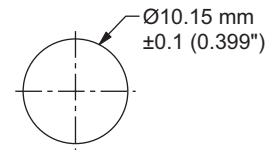
Single Chip LED
IP66 - Ø10.0

Features

- Plastic fresnel lens
- Rugged brass, black chromed body
- Sealing available to IP66
- Low profile panel mounting
- 80° Viewing angle
- Operating temp -40 to 85°C
- Storage temp -40 to 85°C



Front View



Mounting Hole
OXL/CLH/100/-

Ordering Information and Technical Characteristics

Ordering Information	Colour	Forward Voltage (V)	Current (mA)	Luminous Intensity (mcd)	Reverse Voltage (V)
OXL/CLH/100/RD	Red	2.2	20	45	5
OXL/CLH/100/YW	Yellow	2.2	20	45	5
OXL/CLH/100/GN	Green	2.2	20	45	5
OXL/CLH/100/AlGaAsRD	Red	1.9	20	1200	5
OXL/CLH/100/H/YW	Yellow	2.2	20	1000	5
OXL/CLH/100/H/GN	Green	3.6	20	1250	5
OXL/CLH/100/H/BE	Blue	3.6	20	1200	5
OXL/CLH/100/H/WE	White	3.6	20	1000	5
OXL/CLH/100/5/RD	Red	5	15	34	5

Continued ...

Ordering Information	Colour	Forward Voltage (V)	Current (mA)	Luminous Intensity (mcd)	Reverse Voltage (V)
OXL/CLH/100/5/YW	Yellow	5	15	34	5
OXL/CLH/100/5/GN	Green	5	15	34	5
OXL/CLH/100/5/AlGaAsRD	Red	5	15	900	5
OXL/CLH/100/5/H/YW	Yellow	5	15	750	5
OXL/CLH/100/5/H/GN	Green	5	15	940	5
OXL/CLH/100/5/H/BE	Blue	5	15	900	5
OXL/CLH/100/5/H/WE	White	5	15	750	5
OXL/CLH/100/12/RD	Red	12	15	34	12
OXL/CLH/100/12/YW	Yellow	12	15	34	12
OXL/CLH/100/12/GN	Green	12	15	34	12
OXL/CLH/100/12/AlGaAsRD	Red	12	15	900	12
OXL/CLH/100/12/H/YW	Yellow	12	15	750	12
OXL/CLH/100/12/H/GN	Green	12	15	940	12
OXL/CLH/100/12/H/BE	Blue	12	15	900	12
OXL/CLH/100/12/H/WE	White	12	15	750	12
OXL/CLH/100/15/RD	Red	15	15	34	15
OXL/CLH/100/15/YW	Yellow	15	15	34	15
OXL/CLH/100/15/GN	Green	15	15	34	15
OXL/CLH/100/15/AlGaAsRD	Red	15	15	900	15
OXL/CLH/100/15/H/YW	Yellow	15	15	750	15
OXL/CLH/100/15/H/GN	Green	15	15	940	15
OXL/CLH/100/15/H/BE	Blue	15	15	900	15
OXL/CLH/100/15/H/WE	White	15	15	750	15
OXL/CLH/100/24/RD	Red	24	15	34	24
OXL/CLH/100/24/YW	Yellow	24	15	34	24
OXL/CLH/100/24/GN	Green	24	15	34	24
OXL/CLH/100/24/AlGaAsRD	Red	24	15	900	24
OXL/CLH/100/24/H/YW	Yellow	24	15	750	24
OXL/CLH/100/24/H/GN	Green	24	15	940	24
OXL/CLH/100/24/H/BE	Blue	24	15	900	24
OXL/CLH/100/24/H/WE	White	24	15	750	24
OXL/CLH/100/28/RD	Red	28	15	34	28
OXL/CLH/100/28/YW	Yellow	28	15	34	28
OXL/CLH/100/28/GN	Green	28	15	34	28
OXL/CLH/100/28/AlGaAsRD	Red	28	15	900	28
OXL/CLH/100/28/H/YW	Yellow	28	15	750	28
OXL/CLH/100/28/H/GN	Green	28	15	940	28
OXL/CLH/100/28/H/BE	Blue	28	15	900	28
OXL/CLH/100/28/H/WE	White	28	15	750	28

Mean time before failure 90,000 hrs.

- 1) Coloured lens as standard, optional clear lens available - denoted by **CL** in part numbering.
e.g. OXL/CLH/63/P/CL/GN
- 2) Black anodised body available - denoted by **BB** in part number eg. OXL/CLH/63/BB/P/CL/GN
- 3) Customer specials available on request.

Prominent Lens

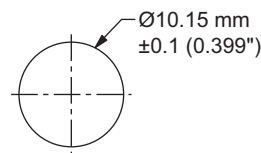
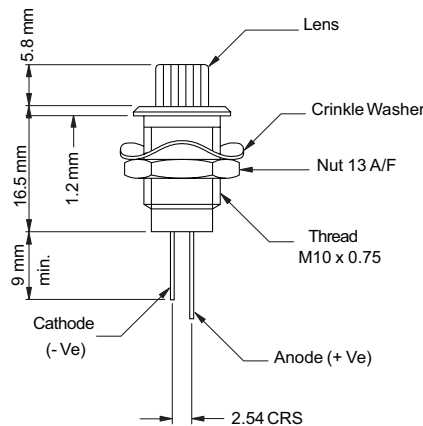
Single Chip LED

Fresnel Lens

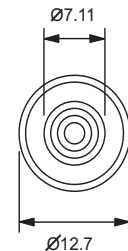
IP66 - Ø10.0

Features

- Coloured Plastic fresnel prominent lens wide viewing (100°)
- Rugged brass, black chromed body
- Sealing available to IP66
- Operating temp -40 to 85°C
- Storage temp -40 to 85°C



Mounting Hole



Front View

Ordering Information and Technical Characteristics

Ordering Information	Colour	Forward Voltage (V)	Current (mA)	Luminous Intensity (mcd)	Reverse Voltage (V)
OXL/CLH/100/P/RD	Red	2.2	20	45	5
OXL/CLH/100/P/YW	Yellow	2.2	20	45	5
OXL/CLH/100/P/GN	Green	2.2	20	45	5
OXL/CLH/100/P/H/AlGaAsRD	Red	1.9	20	1200	5
OXL/CLH/100/P/H/YW	Yellow	2.2	20	1000	5
OXL/CLH/100/P/H/GN	Green	3.6	20	1250	5
OXL/CLH/100/P/H/BE	Blue	3.6	20	1200	5
OXL/CLH/100/P/H/WE	White	3.6	20	1000	5

Mean time before failure 90,000 hrs.

- 1) Voltage variants and customer specials are available on request.
- 2) Coloured lens as standard, optional clear lens available - denoted by **CL** in part numbering. e.g. OXL/CLH/63/P/CL/GN
- 3) Black anodised body available - denoted by **BB** in part number eg. OXL/CLH/63/BB/P/CL/GN
- 4) Customer specials available on request.