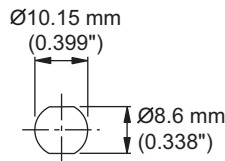
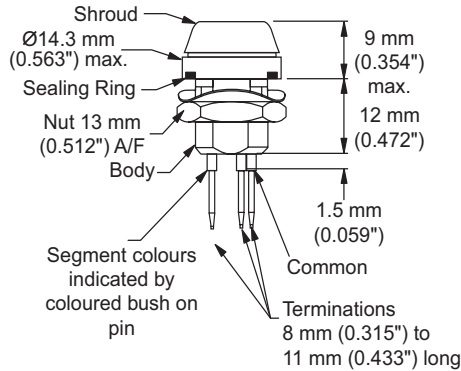


**Bi-Segmented LED Indicator
Flat Lens**

**Single Chip LED
IP68-Ø10.0-**

Features

- Replaces two single indicators
- Independently addressable segments
- Sealed to IP68
- Flat clear flat diffused lens
- 60° Viewing angle
- Operating temp -40 to 85°C
- Storage temp -55 to 100°C



Mounting Hole 2/STR/LH23/10/-

Ordering Information and Technical Characteristics .

Ordering Information	Colour	Forward Voltage (V)	Current (mA)	Luminous Intensity (mcd)	Reverse Voltage (V)
2STR/LH23/10/RD/RD	Red	2.2	20	15	5
	Red	2.2		15	
2STR/LH23/10/RD/GN	Red	2.2	20	15	5
	Green	2.2		15	
2STR/LH23/10/RD/YW	Red	2.2	20	15	5
	Yellow	2.2		12	
2STR/LH23/10/GN/GN	Green	2.2	20	15	5
	Green	2.2		15	
2STR/LH23/10/GN/RD	Green	2.2	20	15	5
	Red	2.2		15	
2STR/LH23/10/GN/YW	Green	2.2	20	15	5
	Yellow	2.2		12	
2STR/LH23/10/YW/YW	Yellow	2.2	20	12	5
	Yellow	2.2		12	
2STR/LH23/10/YW/RD	Yellow	2.2	20	12	5
	Red	2.2		15	

Continued...

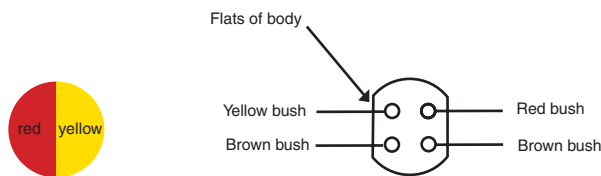
Ordering Information	Colour	Forward Voltage (V)	Current (mA)	Luminous Intensity (mcd)	Reverse Voltage (V)
2STR/LH23/10/YW/GN	Yellow	2.2	20	12	5
	Green	2.2		15	5
2STR/LH23/10/H/RD/RD	Red	1.9	20	1200	5
	Red	2.2		15	5
2STR/LH23/10/H/RD/YW	Red	1.9	20	1200	5
	Yellow	2.2		1000	5
2STR/LH23/10/H/RD/GN	Red	1.9	20	1200	5
	Green	3.6		1250	5
2STR/LH23/10/H/RD/YW	Red	1.9	20	1200	5
	Yellow	2.2		1000	5
2STR/LH23/10/H/YW/YW	Yellow	2.2	20	1000	5
	Yellow	2.2		1000	5
2STR/LH23/10/H/YW/RD	Yellow	2.2	20	1000	5
	Red	1.9		1200	5
2STR/LH23/10/H/YW/GN	Yellow	2.2	20	1000	5
	Green	3.6		1250	5
2STR/LH23/10/H/YW/BE	Yellow	2.2	20	1000	5
	Blue	3.6		1200	5
2STR/LH23/10/H/YW/WE	Yellow	2.2	20	1000	5
	White	3.6		1000	5
2STR/LH23/10/H/GN/RD	Green	3.6	20	1250	5
	Red	2.2		1200	5
2STR/LH23/10/H/GN/YW	Green	3.6	20	1250	5
	Yellow	2.2		1000	5
2STR/LH23/10/H/GN/GN	Green	3.6	20	1250	5
	Green	3.6		1250	5
2STR/LH23/10/H/GN/BE	Green	3.6	20	1250	5
	Blue	3.6		1000	5
2STR/LH23/10/H/GN/WE	Green	3.6	20	1250	5
	White	3.6		1000	5
2STR/LH23/10/H/BE/BE	Blue	3.6	20	1200	5
	Blue	3.6		1200	5
2STR/LH23/10/H/BE/WE	Blue	3.6	20	1200	5
	White	3.6		1000	5
2STR/LH23/10/H/BE/RD	Blue	3.6	20	1200	5
	Red	1.9		1200	5
2STR/LH23/10/H/BE/YW	Blue	3.6	20	1200	5
	Yellow	2.2		1000	5

Continued...

Ordering Information	Colour	Forward Voltage (V)	Current (mA)	Luminous Intensity (mcd)	Reverse Voltage (V)
2STR/LH23/10/H/BE/GN	Blue	3.6	20	1200	5
	Green	3.6		1250	
2STR/LH23/10/H/WE/WE	White	3.6	20	1000	5
	White	3.6		1000	
2STR/LH23/10/H/WE/RD	White	3.6	20	1000	5
	Red	1.9		1200	
2STR/LH23/10/H/WE/GN	White	3.6	20	1000	5
	Green	3.6		1000	
2STR/LH23/10/H/WE/BE	White	3.6	20	1000	5
	Blue	3.6		1200	

Mean time before failure 90,000 hrs.

Note: The first colour within the order information is located on the left side of the segment as shown. e.g. 2STR/LH23/10/RED/YELLOW



Front Panel View

Tri-Segmented LED Indicator

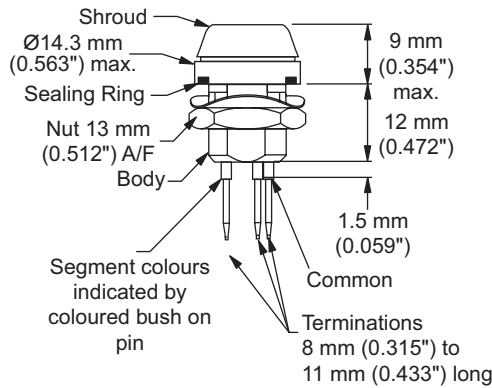
Single Chip LED

Flat Lens

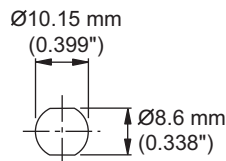
IP68-Ø10.0

Features

- Replaces three single indicators
- Independently addressable segments
- Sealed to IP68
- Flat clear diffused lens
- 60° Viewing angle
- Operating temp -40 to 85°C
- Storage temp -55 to 100°C



3/STR/LH23/10/-



Mounting Hole

Ordering Information and Technical Characteristics

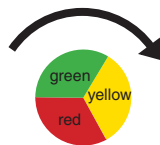
Ordering Information	Colour	Forward Voltage (V)	Current (mA)	Luminous Intensity (mcd)	Reverse Voltage (V)
3STR/LH23/10/R/G/Y	Red	2.2	20	15	5
	Green	2.2		15	
	Yellow	2.2		12	
3STR/LH23/10/R/Y/G	Red	2.2	20	15	5
	Yellow	2.2		12	
	Green	2.2		15	
3STR/LH23/10/R/R/R	Red	2.2	20	15	5
	Red	2.2		15	
	Red	2.2		15	
3STR/LH23/10/G/Y/R	Green	2.2	20	15	5
	Yellow	2.2		12	
	Red	2.2		15	
3STR/LH23/10/Y/R/G	Yellow	2.2	20	12	5
	Red	2.2		15	
	Green	2.2		15	

Continued ...

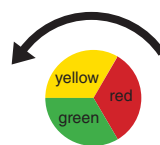
Ordering Information	Colour	Forward Voltage (V)	Current (mA)	Luminous Intensity (mcd)	Reverse Voltage (V)
3STR/LH23/10/G/G/G	Green	2.2	20	15	5
	Green	2.2		15	
	Green	2.2		15	
3STR/LH23/10/Y/Y/Y	Yellow	2.2	20	12	5
	Yellow	2.2		12	
	Yellow	2.2		12	
3STR/LH23/10/H/R/R/R	Red	1.9	20	1200	5
	Red	1.9		1200	
	Red	1.9		1200	
3STR/LH23/10/H/R/G/Y	Red	1.9	20	1200	5
	Green	3.6		1250	
	Yellow	2.2		1000	
3STR/LH23/10/H/R/Y/G	Red	1.9	20	1200	5
	Yellow	2.2		1000	
	Green	3.6		1250	
3STR/LH23/10/H/R/B/W	Red	1.9	20	1200	5
	Blue	3.6		1200	
	White	3.6		1000	
3STR/LH23/10/H/W/W/W	White	3.6	20	1000	5
	White	3.6		1000	
	White	3.6		1000	
3STR/LH23/10/H/B/W/B	Blue	3.6	20	1200	5
	White	3.6		1000	
	Blue	3.6		1200	
3STR/LH23/10/H/B/Y/G	Blue	3.6	20	1200	5
	Yellow	2.2		1000	
	Green	3.6		1250	
3STR/LH23/10/H/W/B/G	White	3.6	20	1000	5
	Blue	2.2		1000	
	Green	3.6		1250	

Mean time before failure 90,000 hrs.

1) When ordering parts please specify orientation of colours. e.g. 3STR/LH23/10/R/G/Y



Clockwise



Counter Clockwise