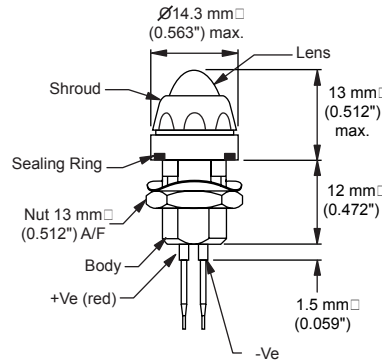


Panel and Lamp Body Sealed
Domed Lens

Single Chip LED
IP68-Ø10.0-

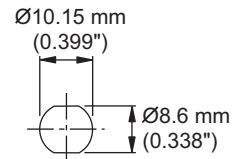
Features

- Panel and lamp body sealed
- Rugged glass and metal construction
- Black anodised body for salt laden atmospheres
- Clear domed lens, wide viewing angle
- Sealed to IP68
- Integral resistors - five standard voltage variant available
- 100° Viewing angle
- Operating temp -40 to 85°C
- Storage temp -55 to 100°C



Terminations 8 mm (0.315") to 11 mm (0.433") long

STR/LH23/10/-



Mounting Hole

Ordering Information and Technical Characteristics

Ordering Information	Colour	Forward Voltage (V)	Current (mA)	Luminous Intensity (mcd)	Reverse Voltage (V)
STR/LH23/10/RD	Red	1.9	20	50	5
STR/LH23/10/AR	Amber	2.2	20	40	5
STR/LH23/10/YW	Yellow	2.2	20	40	5
STR/LH23/10/GN	Green	2.2	20	50	5
STR/LH23/10/5/RD	Red	5	15	38	5
STR/LH23/10/5/AR	Amber	5	15	30	5
STR/LH23/10/5/YW	Yellow	5	15	30	5
STR/LH23/10/5/GN	Green	5	15	38	5
STR/LH23/10/12/RD	Red	12	15	38	12
STR/LH23/10/12/AR	Amber	12	15	30	12
STR/LH23/10/12/YW	Yellow	12	15	30	12
STR/LH23/10/12/GN	Green	12	15	38	12

Mean time before failure 90,000 hrs

Ordering Information	Colour	Forward Voltage (V)	Current (mA)	Luminous Intensity (mcd)	Reverse Voltage (V)
STR/LH23/10/15/RD	Red	15	15	38	15
STR/LH23/10/15/AR	Amber	15	15	30	15
STR/LH23/10/15/YW	Yellow	15	15	30	15
STR/LH23/10/15/GN	Green	15	15	38	15
STR/LH23/10/24/RD	Red	24	15	38	24
STR/LH23/10/24/AR	Amber	24	15	30	24
STR/LH23/10/24/YW	Yellow	24	15	30	24
STR/LH23/10/24/GN	Green	24	15	38	24
STR/LH23/10/28/RD	Red	28	15	38	28
STR/LH23/10/28/AR	Amber	28	15	30	28
STR/LH23/10/28/YW	Yellow	28	15	30	28
STR/LH23/10/28/GN	Green	28	15	38	28

Mean time before failure 90,000 hrs

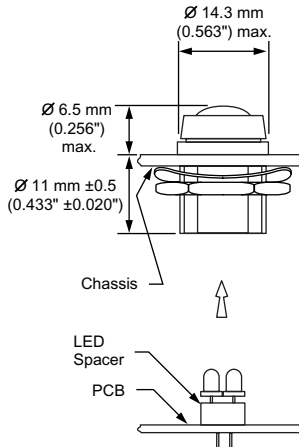
1) High Intensity options and customer specials available on request.

Two-Part LED Indicator
Domed Lens

Single Chip LED
IP68-Ø10.0-

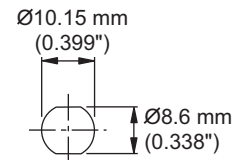
Features

- 2 part construction permits wire-less detachment of front panel
- Rugged glass and metal construction
- Panel sealed to IP68
- Improved equipment reliability, fewer solder joints
- Clear diffused lens
- 80° Viewing angle
- Operating temp -40 to 85°C
- Storage temp -55 to 100°C



STR/LH23/10/LX/-

Note: spacer not included



Mounting Hole
(STR/LH23/10/-)

Ordering Information and Technical Characteristics

Ordering Information	Colour	Forward Voltage (V)	Current (mA)	Luminous Intensity (mcd)	Reverse Voltage (V)
STR/LH23/10/LX/RD	Red	2.2	20	20	5
STR/LH23/10/LX/YW	Yellow	2.2	20	20	5
STR/LH23/10/LX/GN	Green	2.2	20	20	5
STR/LH23/10/LX/AlGaAsRD	Red	1.9	20	1200	5
STR/LH23/10/LX/H/YW	Yellow	2.2	20	1000	5
STR/LH23/10/LX/H/GN	Green	3.6	20	1250	5
STR/LH23/10/LX/H/BE	Blue	3.6	20	1200	5
STR/LH23/10/LX/H/WE	White	3.6	20	1000	5

Mean time before failure 90,000 hrs.

1) Customer specials available on request.