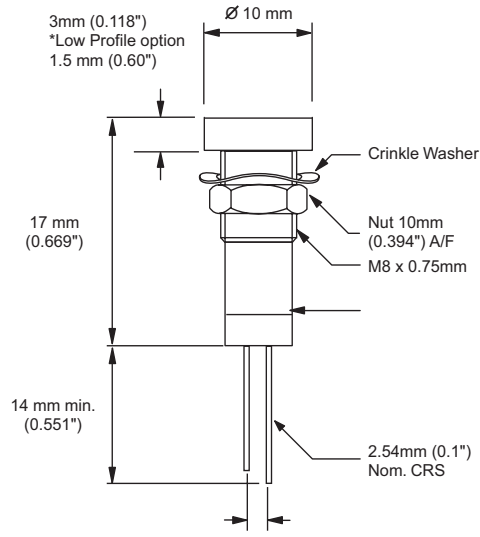


**Panel Sealed
Bezel LED Indicator**

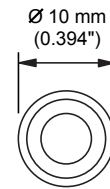
**Single Chip LED
IP67 - Ø8.0**

Features

- Protective cone bezel
- Reflective cone design
- Sealing available to IP67
- Low profile option available
- LED lens
- 80° Viewing angle
- Operating temp -40 to 85°C
- Storage temp -40 to 85°C



Mounting Hole



Front View

OXL/CLH/80
(For Black Body and low profile - see note 1)

Ordering Information and Technical Characteristics

Ordering Information	Colour	Forward Voltage (V)	Current (mA)	Luminous Intensity (mcd)	Reverse Voltage (V)
OXL/CLH/80/RD	Red	2.2	20	45	5
OXL/CLH/80/YW	Yellow	2.2	20	45	5
OXL/CLH/80/GN	Green	2.2	20	45	5
OXL/CLH/80/AIGaAsRD	Red	1.9	20	1200	5
OXL/CLH/80/HYW	Yellow	2.2	20	1000	5
OXL/CLH/80/HGN	Green	3.6	20	1250	5
OXL/CLH/80/HBE	Blue	3.6	20	1200	5
OXL/CLH/80/HWE	White	3.6	20	1000	5
OXL/CLH/80/5/RD	Red	5	15	34	5
OXL/CLH/80/5/YW	Yellow	5	15	34	5
OXL/CLH/80/5/GN	Green	5	15	34	5
OXL/CLH/80/5/AIGaAsRD	Red	5	15	900	5
OXL/CLH/80/5/HYW	Yellow	5	15	750	5
OXL/CLH/80/5/HGN	Green	5	15	940	5
OXL/CLH/80/5/HBE	Blue	5	15	900	5
OXL/CLH/80/5/HWE	White	5	15	750	5

Continued ...

Ordering Information	Colour	Forward Voltage (V)	Current (mA)	Luminous Intensity (mcd)	Reverse Voltage (V)
OXL/CLH/80/12/RD	Red	12	15	34	12
OXL/CLH/80/12/YW	Yellow	12	15	34	12
OXL/CLH/80/12/GN	Green	12	15	34	12
OXL/CLH/80/12/AlGaAsRD	Red	12	15	900	12
OXL/CLH/80/12/H/YW	Yellow	12	15	750	12
OXL/CLH/80/12/H/GN	Green	12	15	940	12
OXL/CLH/80/12/H/BE	Blue	12	15	900	12
OXL/CLH/80/12/H/WE	White	12	15	750	12
OXL/CLH/80/15/RD	Red	15	15	34	15
OXL/CLH/80/15/YW	Yellow	15	15	34	15
OXL/CLH/80/15/GN	Green	15	15	34	15
OXL/CLH/80/15/AlGaAsRD	Red	15	15	900	15
OXL/CLH/80/15/H/YW	Yellow	15	15	750	15
OXL/CLH/80/15/H/GN	Green	15	15	940	15
OXL/CLH/80/15/H/BE	Blue	15	15	900	15
OXL/CLH/80/15/H/WE	White	15	15	750	15
OXL/CLH/80/24/RD	Red	24	15	34	24
OXL/CLH/80/24/YW	Yellow	24	15	34	24
OXL/CLH/80/24/GN	Green	24	15	34	24
OXL/CLH/80/24/AlGaAsRD	Red	24	15	900	24
OXL/CLH/80/24/H/YW	Yellow	24	15	750	24
OXL/CLH/80/24/H/GN	Green	24	15	940	24
OXL/CLH/80/24/H/BE	Blue	24	15	900	24
OXL/CLH/80/24/H/WE	White	24	15	750	24
OXL/CLH/80/28/RD	Red	28	15	34	28
OXL/CLH/80/28/YW	Yellow	28	15	34	28
OXL/CLH/80/28/GN	Green	28	15	34	28
OXL/CLH/80/28/AlGaAsRD	Red	28	15	900	28
OXL/CLH/80/28/H/YW	Yellow	28	15	750	28
OXL/CLH/80/28/H/GN	Green	28	15	940	28
OXL/CLH/80/28/H/BE	Blue	28	15	900	28
OXL/CLH/80/28/H/WE	White	28	15	750	28

Mean time before failure 90,000 hrs.

Notes:

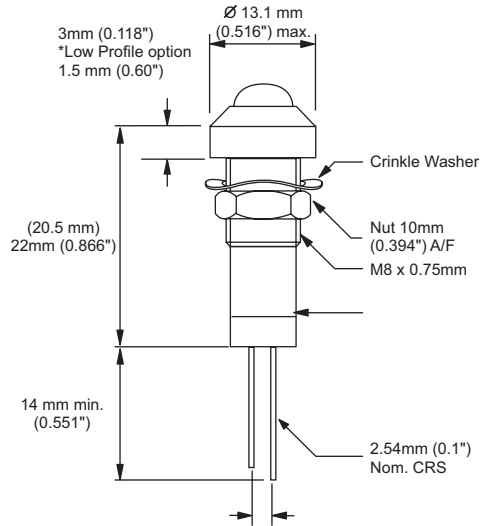
- 1) For Black Body, Low Profile option (not shown) - add **LP/BB** to the part number when ordering.
- 2) Flying lead terminations available on request - order FLXX, where XX = length of leads in cm
- 3) Customer specials available on request.

**Panel Sealed -
Bezel Prominent LED Indicator**

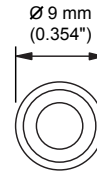
**Single Chip LED
IP67 - Ø8.0**

Features

- Low profile
- Black anodized body for corrosive atmospheres
- Sealing available to IP67
- LED lens
- 80° Viewing angle
- Operating temp -40 to 85°C
- Storage temp -40 to 85°C



Mounting Hole dia.



Front View

Ordering Information and Technical Characteristics

Ordering Information	Colour	Forward Voltage (V)	Current (mA)	Luminous Intensity (mcd)	Reverse Voltage (V)
OXL/CLH/80/P/BB/RD	Red	2.2	20	45	5
OXL/CLH/80/P/BB/YW	Yellow	2.2	20	45	5
OXL/CLH/80/P/BB/GN	Green	2.2	20	45	5
OXL/CLH/80/P/BB/AlGaAsRD	Red	1.9	20	1200	5
OXL/CLH/80/P/BB/H/YW	Yellow	2.2	20	1000	5
OXL/CLH/80/P/BB/H/GN	Green	3.6	20	1250	5
OXL/CLH/80/P/BB/H/BE	Blue	3.6	20	1200	5
OXL/CLH/80/P/BB/H/WE	White	3.6	20	1000	5

Mean time before failure 90,000 hrs.

1) Flying lead terminations available on voltage variants available on request - order FLXX, where XX = length of leads in cm