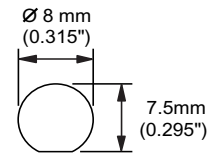
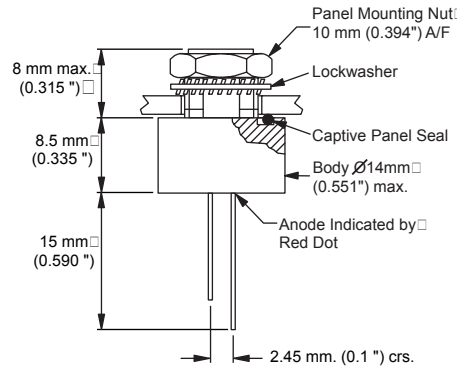


**Indicator Lamp
Rear Mounting**

**Single Chip LED
IP67 - Ø8.0**

Features

- Can reduce assembly time when access to rear/front of panel is limited
- Sealing to MIL-L-3661
- High reliability
- Lamp removal from chassis possible without removing terminations
- Reverse voltage protection (voltage variation only)
- Flat diffused lens
- 60° Viewing angle
- Operating temp -40 to 85°C
- Storage temp -55 to 100°C



**STR501/
Mounting Hole Size**

Ordering Information and Technical Characteristics

Ordering Information	Colour	Forward Voltage (V)	Current (mA)	Luminous Intensity (mcd)	Reverse Voltage (V)
STR/501/LH/8/RD	Red	2.2	20	50	5
STR/501/LH/8/YW	Yellow	2.2	20	40	5
STR/501/LH/8/GN	Green	2.2	20	50	5
STR/501/LH/8/AIGaAsRD	Red	1.9	20	1200	5
STR/501/LH/8/H/YW	Yellow	2.2	20	1000	5
STR/501/LH/8/H/GN	Green	3.6	20	1250	5
STR/501/LH/8/H/BE	Blue	3.6	20	1200	5
STR/501/LH/8/H/WE	White	3.6	20	1000	5
STR/501/LH/8/5/RD	Red	5	15	38	5
STR/501/LH/8/5/YW	Yellow	5	15	30	5
STR/501/LH/8/5/GN	Green	5	15	38	5
STR/501/LH/8/5/AIGaAsRD	Red	5	15	900	5
STR/501/LH/8/5/H/YW	Yellow	5	15	750	5
STR/501/LH/8/5/H/GN	Green	5	15	940	5
STR/501/LH/8/5/H/BE	Blue	5	15	900	5
STR/501/LH/8/5/H/WE	White	5	15	750	5

Ordering Information	Colour	Forward Voltage (V)	Current (mA)	Luminous Intensity (mcd)	Reverse Voltage (V)
STR/501/LH/8/12/RD	Red	12	15	38	12
STR/501/LH/8/12/YW	Yellow	12	15	30	12
STR/501/LH/8/12/GN	Green	12	15	38	12
STR/501/LH/8/12/AlGaAsRD	Red	12	15	900	12
STR/501/LH/8/12/H/YW	Yellow	12	15	750	12
STR/501/LH/8/12/H/GN	Green	12	15	940	12
STR/501/LH/8/12/H/BE	Blue	12	15	900	12
STR/501/LH/8/12/H/WE	White	12	15	750	12
STR/501/LH/8/15/RD	Red	15	15	38	15
STR/501/LH/8/15/YW	Yellow	15	15	30	15
STR/501/LH/8/15/GN	Green	15	15	38	15
STR/501/LH/8/15/AlGaAsRD	Red	15	15	900	15
STR/501/LH/8/15/H/YW	Yellow	15	15	750	15
STR/501/LH/8/15/H/GN	Green	15	15	940	15
STR/501/LH/8/15/H/BE	Blue	15	15	900	15
STR/501/LH/8/15/H/WE	White	15	15	750	15
STR/501/LH/8/24/RD	Red	24	15	38	24
STR/501/LH/8/24/YW	Yellow	24	15	30	24
STR/501/LH/8/24/GN	Green	24	15	38	24
STR/501/LH/8/24/AlGaAsRD	Red	24	15	900	24
STR/501/LH/8/24/H/YW	Yellow	24	15	750	24
STR/501/LH/8/24/H/GN	Green	24	15	940	24
STR/501/LH/8/24/H/BE	Blue	24	15	900	24
STR/501/LH/8/24/H/WE	White	24	15	750	24
STR/501/LH/8/28/RD	Red	28	15	38	28
STR/501/LH/8/28/YW	Yellow	28	15	30	28
STR/501/LH/8/28/GN	Green	28	15	38	28
STR/501/LH/8/28/AlGaAsRD	Red	28	15	900	28
STR/501/LH/8/28/H/YW	Yellow	28	15	750	28
STR/501/LH/8/28/H/GN	Green	28	15	940	28
STR/501/LH/8/28/H/BE	Blue	28	15	900	28
STR/501/LH/8/28/H/WE	White	28	15	750	28

1) Voltage variants ranging from 5 to 28 volts.

2) For RAF - focused sunlight viewable (30°), RAPP - pin point wide viewing sunlight viewable (100°) and NVIS compatibility. (Please contact our Sales Department.)