

Panel and Lamp Body Sealed

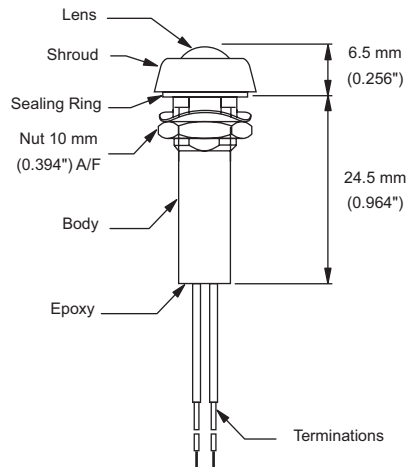
Neon Bulb

Neon Indicator Mains (ac) Powered

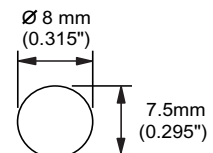
IP68 - Ø8.0

Features

- Flying lead terminations (standard length of 200 mm)
- Panel and lamp body sealed
- Rugged glass and metal construction
- Sealed to IP68
- Two voltage variants available
- Coloured diffused lens
- 80° Viewing angle
- Operating temp -40 to 85°C
- Storage temp -55 to 100°C



STR/NLH/-



Mounting Hole

Ordering Information and Technical Characteristics

Ordering Information	Colour	Operating Voltage (V max RMS)	Current (mA)	Luminous Intensity (mcd)
STR/NLH/31/110	Red	110	1	15
STR/NLH/32/110	Amber	110	1	15
STR/NLH/34/110	Green	110	1	15
STR/NLH/36/110	Clear	110	1	15
STR/NLH/31/240	Red	240	1	15
STR/NLH/32/240	Amber	240	1	15
STR/NLH/34/240	Green	240	1	15
STR/NLH/36/240	Clear	240	1	15

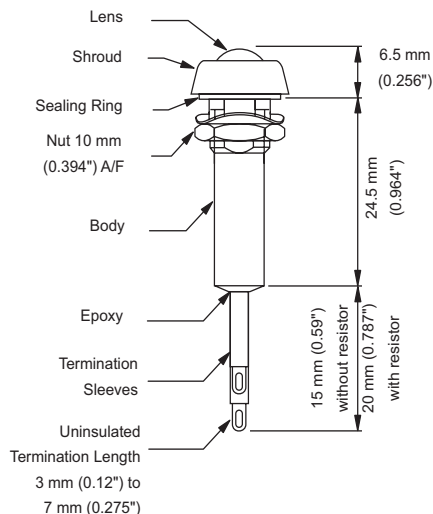
- 1) Proof voltage (terminations to body): 1,000 V.d.c.
Insulation resistance (at 500 V.d.c.): >5,000 Mohms.
- 2) Panel lamps without resistors available on request.
- 3) Customer specials available on request.

**Panel and Lamp Body Sealed
Neon Indicator Mains (ac) Powered**

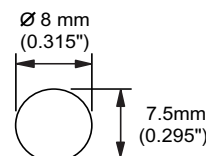
**Neon Bulb
IP68 - Ø8.0**

Features

- Loop hole tag terminations
- Panel and lamp body sealed
- Rugged glass and metal construction
- Sealed to IP68
- Two voltage variants available
- Coloured diffused lens
- 80° Viewing angle
- Operating temp -40 to 85°C
- Storage temp -55 to 100°C



STR/NLH/-REF1



Mounting Hole

Ordering Information and Technical Characteristics

Ordering Information	Colour	Operating Voltage (V max RMS)	Current (mA)	Luminous Intensity (mcd)
STR/NLH/31/110/REF1	Red	110	1	15
STR/NLH/32/110/REF1	Amber	110	1	15
STR/NLH/34/110/REF1	Green	110	1	15
STR/NLH/36/110/REF1	Clear	110	1	15
STR/NLH/31/240/REF1	Red	240	1	15
STR/NLH/32/240/REF1	Amber	240	1	15
STR/NLH/34/240/REF1	Green	240	1	15
STR/NLH/36/240/REF1	Clear	240	1	15

- 1) REF1 denotes loop hole tag terminations.
- 2) Proof voltage (terminations to body): 1000 V dc
Insulation resistance (at 500 V dc): >5000 Mohms.
- 3) Panel lamps without resistors available on request.
- 4) Customer specials available on request.